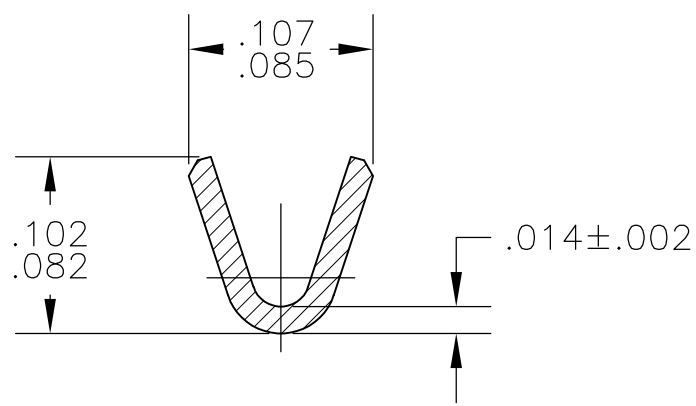
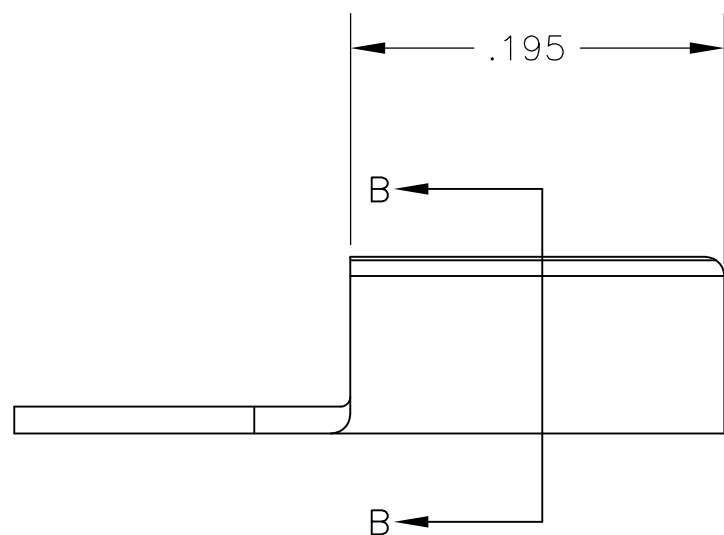
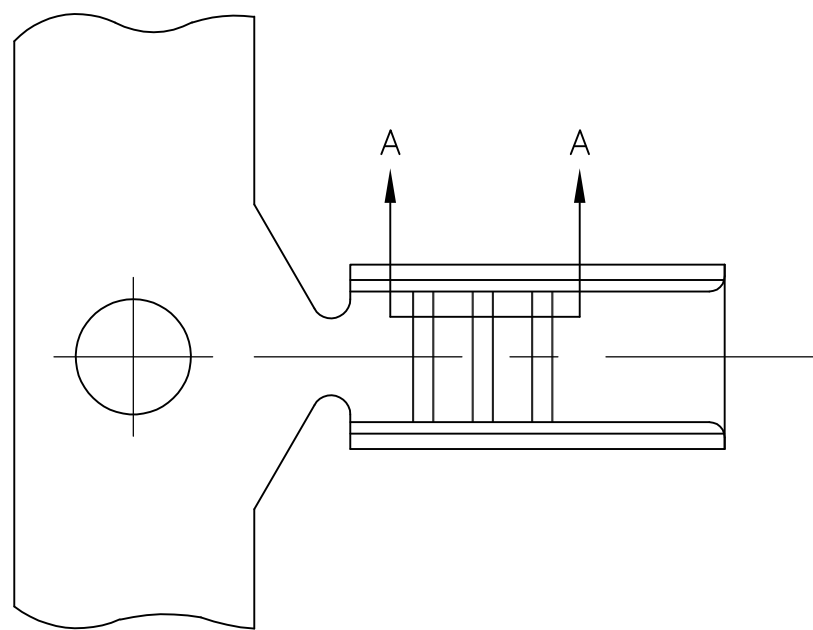
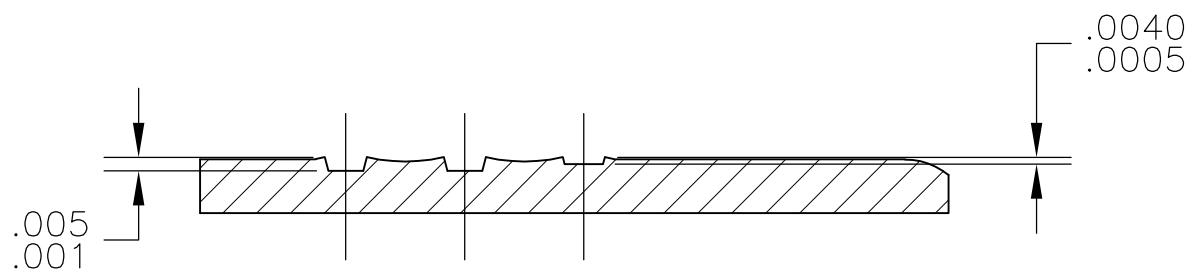


THIS DRAWING IS UNPUBLISHED. RELEASED FOR PUBLICATION
 © COPYRIGHT BY TYCO ELECTRONICS CORPORATION. ALL RIGHTS RESERVED.

LOC	DIST	REVISIONS					
AF	50	P	LTR	DESCRIPTION	DATE	DWN	APVD
			D2	REVISED PER ECR-07-018788	20AUG07	HMR	GP



SECTION B-B



SECTION A-A
SCALE 20:1

- 1 CONTINUOUS STRIP ON REELS
- 2 P/N 62341-3 SAME AS P/N 62341-1 EXCEPT REVERSE REELED

OBSOLETE	480-1700	CMA	TIN	2	62341-3
OBSOLETE	480-1700	CMA	NONE		62341-2
	480-1700	CMA	TIN		62341-1
	WIRE RANGE		FINISH	PART NO	

THIS DRAWING IS A CONTROLLED DOCUMENT.		DWN RAGHAVENDRA 11OCT2006	Tyco Electronics Corporation Harrisburg, PA 17105-3608			
DIMENSIONS: INCHES		CHK G.D.PORTA	NAME			
TOLERANCES UNLESS OTHERWISE SPECIFIED:		APVD G.D.PORTA	MINIATURE AMPLIVAR SPLICE			
0 PLC ± - 1 PLC ± - 2 PLC ± - 3 PLC ± .015 4 PLC ± - ANGLES ± 1° 0'		PRODUCT SPEC -	SIZE A3	CAGE CODE 00779	DRAWING NO G-62341	RESTRICTED TO -
MATERIAL BRASS	FINISH SEE TABLE	APPLICATION SPEC -	WEIGHT -	CUSTOMER DRAWING		
			SCALE 10:1	SHEET 1 OF 1	REV D2	